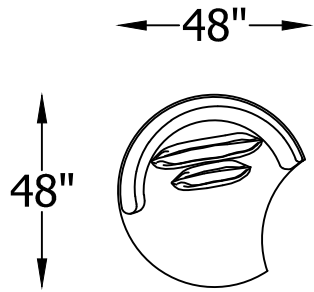
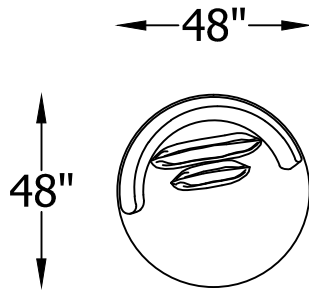


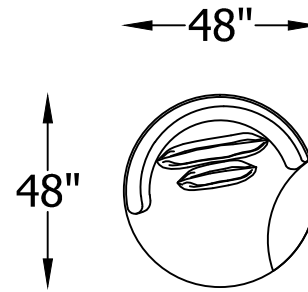
# SIAMESE SERIES 1331



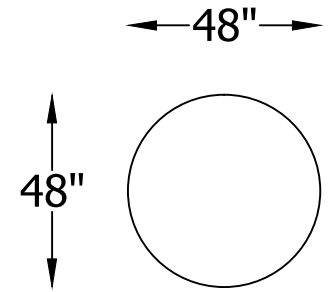
133147L or R  
TWIN LOUNGE CHAIR  
\* SHOWN AS LEFT



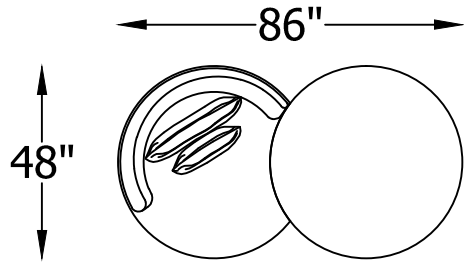
133148LSW or RSW  
LOUNGE CHAIR  
\* SHOWN AS LEFT



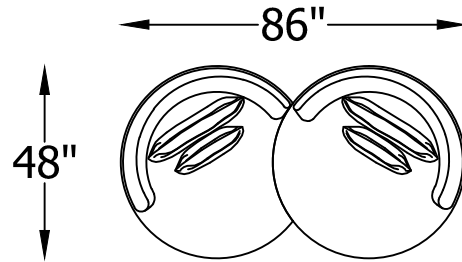
133149LSW or RSW  
LOUNGE CHAIR WITH TABLE  
\* SHOWN AS LEFT



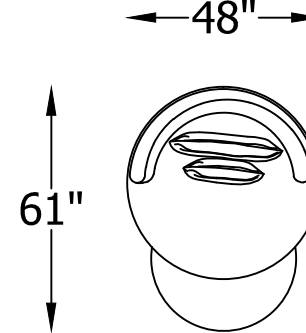
133150SW  
OTTOMAN



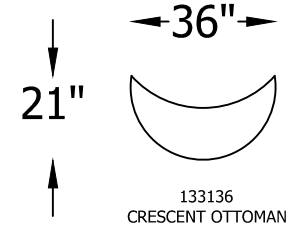
133147L & 133150SW  
TWIN LOUNGE CHAIR LEFT & OTTOMAN



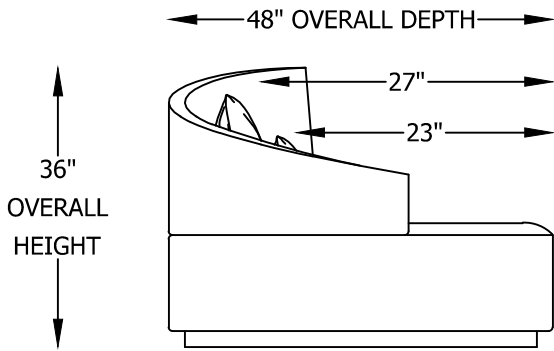
133147L & 133148 RSW  
TWIN LOUNGE CHAIR LEFT & LOUNGE CHAIR RIGHT



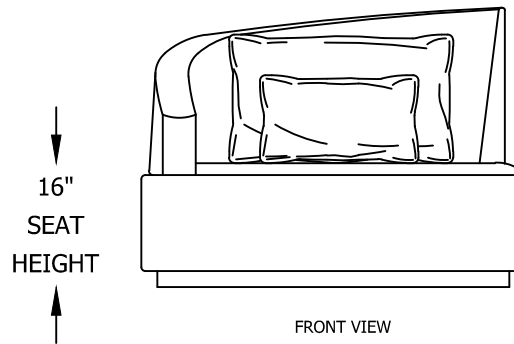
133148L & 133136  
LOUNGE CHAIR LEFT & CRESCENT OTTOMAN



133136  
CRESCENT OTTOMAN



SIDE VIEW



FRONT VIEW

\*\* Scale: 1/2" = 1'-00"

NOTE:  
LOWER PORTION OF ARM INDICATES LEFT OR RIGHT.  
LEFT HAND SHOWN.

This schematic is current as 09/10 . The company reserves the right to change dimensions and products offered. A more recent schematic may be available for this series. To see the most current schematic, go to <http://lazarind.com>