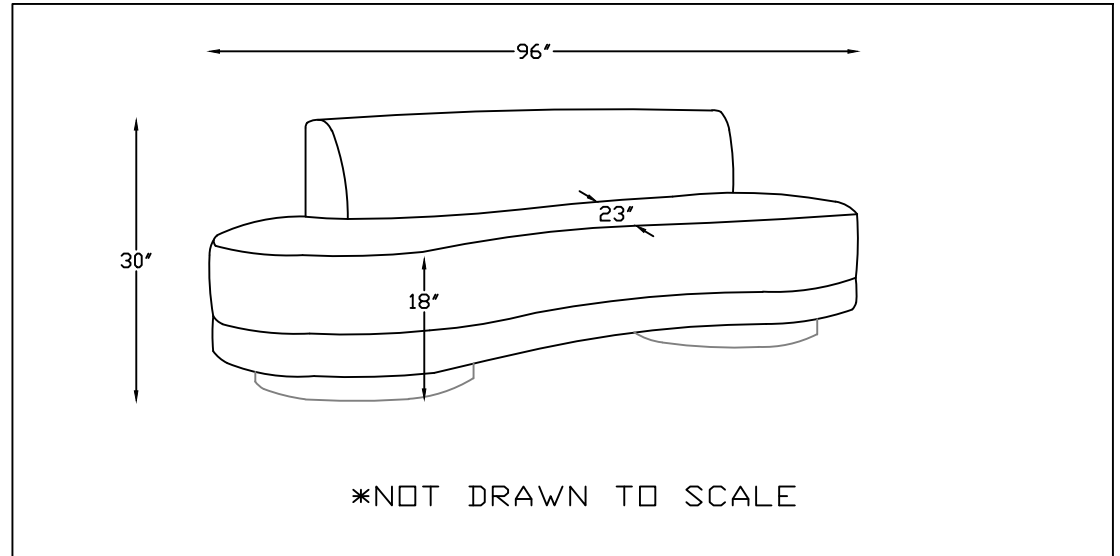
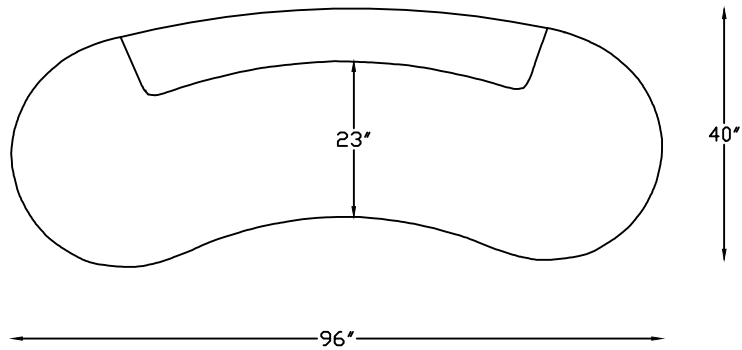




KARTER 146314



This schematic is current as of November 04 , 2021
Lazar reserves the right to change dimensions and/or products offered.
A more recent schematic may be available for this series at www.lazarind.com
NOTE: L or R is determined by facing the piece.