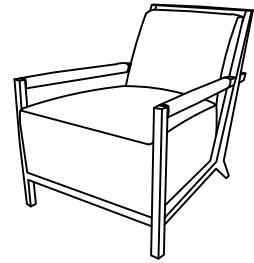
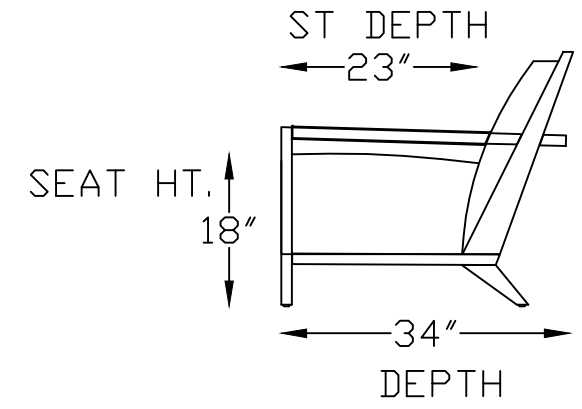
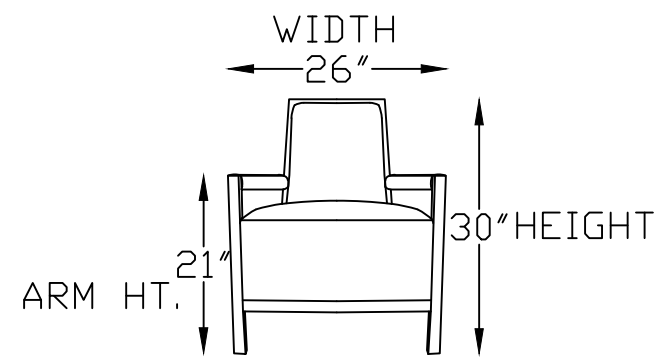


# 26504 Campari



FRONT VIEW

SIDE VIEW



This schematic is current as of December, 2020.  
Lazar reserves the right to change dimensions  
and/or products offered. A more recent schematic may  
be available for this series at [www.lazarind.com](http://www.lazarind.com)

\*NOTE: 3D VIEW NOT TO SCALE