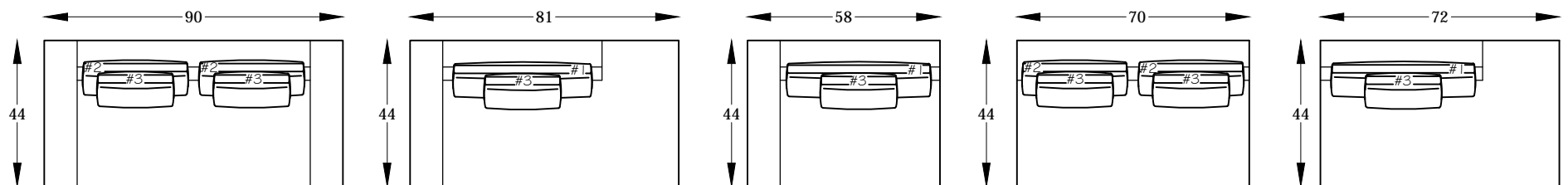


KUBIX SERIES



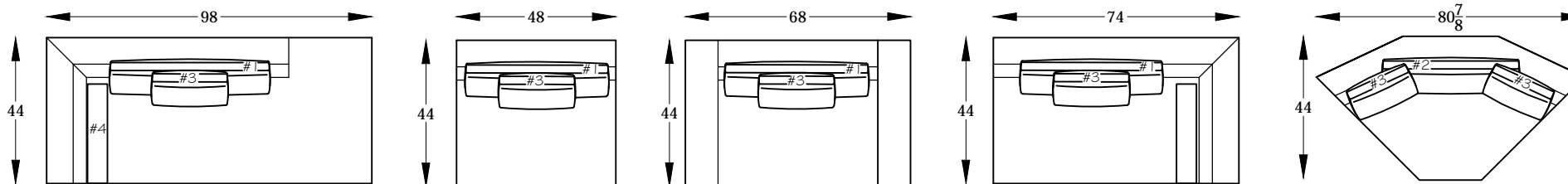
M134090
SOFA

M134082 L&R
ONE-ARM LOVESEAT W/BUMPER
*(SHOWN AS A LEFT)

MM134058 L&R
ONE-ARM LOVESEAT
(SHOWN AS A LEFT)

M134014 &
MM134014
ARMLESS SOFA

M134072 L&R
MM134072 L&R
ARMLESS LOVESEAT W/BUMPER
*(SHOWN AS A RIGHT)



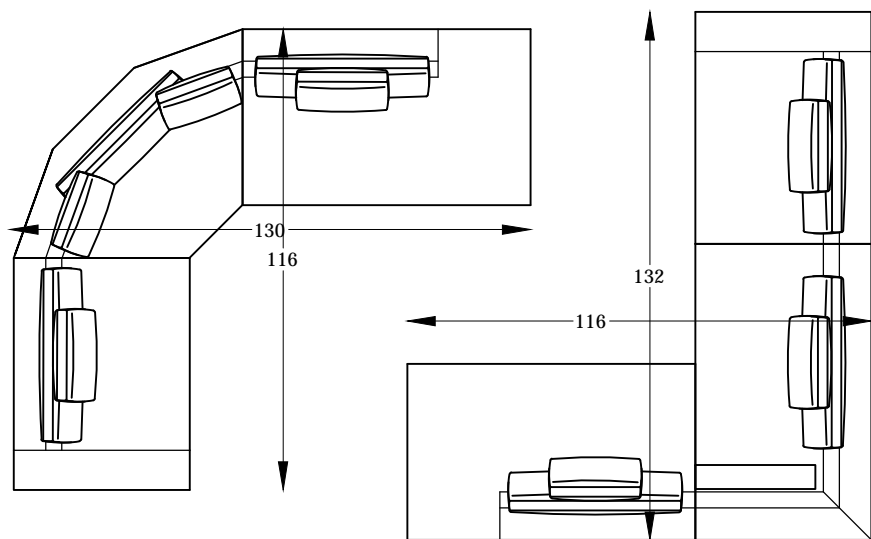
M134098 L&R
RETURN LOVESEAT W/BUMPER
*(SHOWN AS A RIGHT)

M134048 &
MM134048
ARMLESS LOVESEAT

MM134013
LOVESEAT

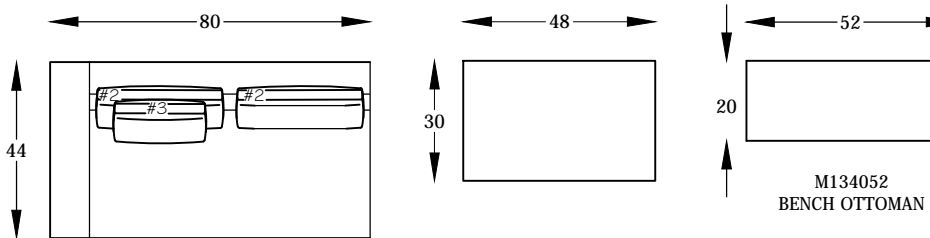
MM134074 L&R
ARMLESS LOVESEAT W/RETURN
*(SHOWN AS LEFT)

MM134081
WEDGE



MM134058 L
MM134081
MM134072 R

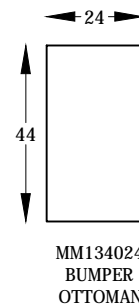
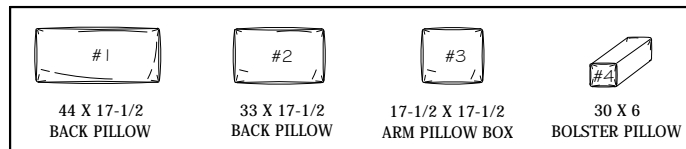
MM134072 R
MM134074 L
MM134058 L



MM134091 L&R
ONE ARM SOFA
*(SHOWN AS A LEFT)

M134047
COCKTAIL OTTOMAN

M134052
BENCH OTTOMAN

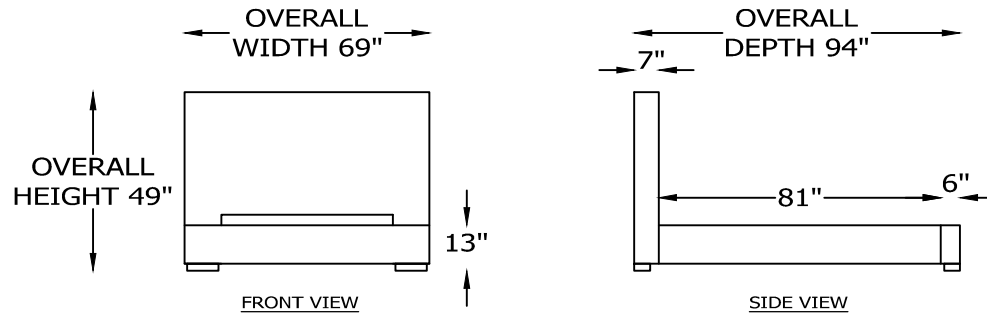
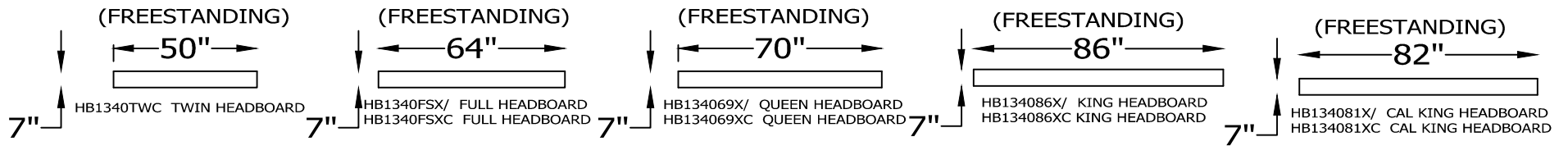
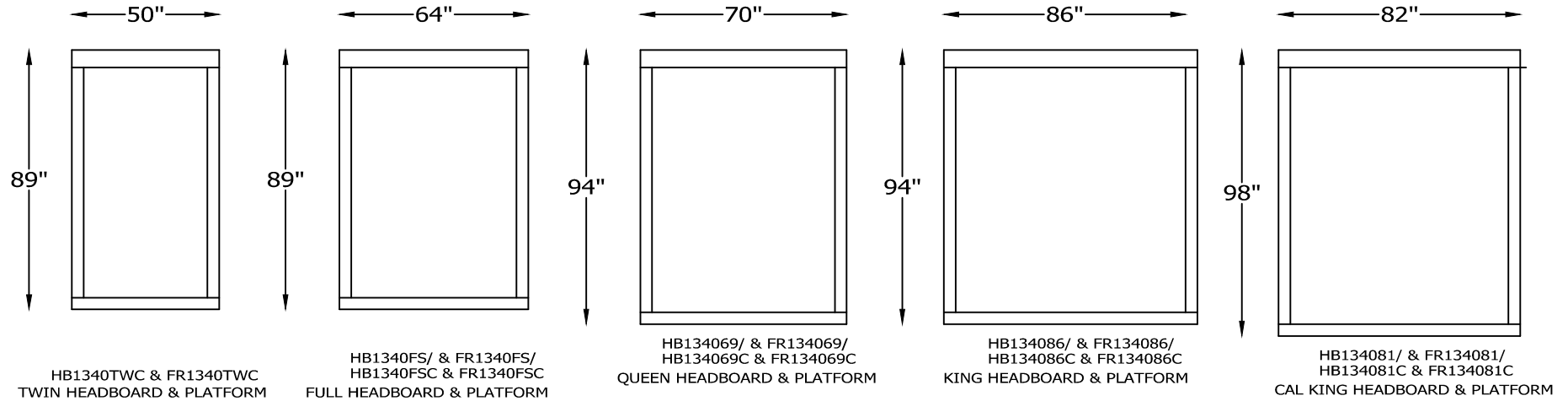


MM134024
BUMPER
OTTOMAN

Scale: $\frac{1}{4}'' = 1'-00''$

This schematic is current as 10/15 . The company reserves the right to change dimensions and products offered. A more recent schematic may be available for this series. To see the most current schematic, go to <http://lazarind.com>

KUBIX 1340



* / = WOOD LEGS
 * C = CHROME LEGS

* NOT TO SCALE

Scale: $\frac{7}{32}'' = 1'-0''$

This schematic is current as 9/15 . The company reserves the right to change dimensions and products offered. A more recent schematic may be available for this series. To see the most current schematic, go to <http://lazarind.com>